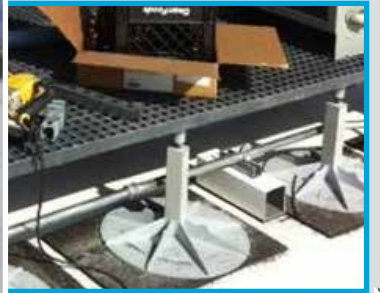


Rapideck® Composite Platforms

Products Brochure



High Performance Composite Solutions



RapiDeck® - The System

Introduction



Whether a rooftop- or tower-based site, Fibergrate Composite Structures' RapiDeck® composite equipment platforms are the perfect solution for supporting site-based telecom equipment. Five standard platforms with adjustable supports are in stock for Rapid delivery to your site. In addition to the stock sizes, an almost infinite number of RapiDeck® platform configurations can be designed and fabricated to fit your unique application. Optional accessories such as railings and stairs are easily added.

RapiDeck® Benefits



Lightweight: Lessens impact on rooftop installations, reduces installation time, can eliminate the need for heavy lifting equipment, and reduces shipping costs.



Adjustable: Fully adjustable support legs for decking accommodate sloping roofs and uneven foundations.



Slip Resistant: The meniscus and integrally applied grit surfaces of Fibergrate molded products have unmatched slip resistance for improved worker safety.



High Strength to Weight Ratio: Fibergrate FRP is one third of the weight of steel. Panels are easily carried by two workers.



Low Maintenance: The corrosion resistant properties of FRP grating and other products reduce or eliminate the need for sandblasting, scraping and painting. Products are also easily cleaned with a high pressure washer.

- **Bidirectional Strength:**

Allowing for field-cut conduit penetration without the need for additional support framing or banding and offers superior impact resistance.

- **Integral Color:**

Allowing cut edges to maintain platform aesthetics.



Low Install Cost: Due to ease of fabrication and light weight, FRP molded grating eliminates the need for heavy lifting equipment.



Corrosion Resistant: Fibergrate® fiberglass products are known for their ability to provide corrosion resistance in the harshest environments.



Electrically & Thermally Non Conductive: Fiberglass is electrically non conductive for safety and has low thermal conductivity which results in a more comfortable product when physical contact occurs.



Long Service Life: Fiberglass products provide outstanding durability and corrosion resistance in demanding applications, therefore providing improved product life over traditional materials.



Heavy Metal Safe:

The EPA, OSHA and other regulatory agencies created to protect our lives and our

natural resources have increased legislation to control heavy metals such as lead, chrome, cadmium and other metals in all products where exposure is a health threat. Fibergrate Composite Structures Inc. supports this strengthened legislation and has, for more than 20 years, voluntarily tested for heavy metals in our products and minimized or eliminated heavy metals from our products.

RapiDeck® Platform Features

RapiDeck Standard Platform Sizes

Size	Number of Legs	Weight
8' x 12'	28	538 lbs
10' x 16'	43	874 lbs
10' x 20'	45	1,070 lbs
12' x 16'	63	1,117 lbs
16' x 24'	96	2,054 lbs

All platforms are adjustable in height from 14-1/2" to 19-1/2"

Rapid Delivery from Stock

Rapid Setup
(less than an hour!)

Rapid Field Customization

*Note: More than 40 other standard non-stocked sizes available
Custom sizes and layouts also available (Call 800-527-4043 for more details)*

RapiDeck Standard Decking

RapiDeck® decking panels are a truly unique development for equipment platforms - providing benefits that the installation contractor will appreciate and the carrier will enjoy for years to come. Decking panels are manufactured with Fibergrate's Corvex® resin system, a resin system that was specially formulated to provide a superior service life in an outdoor environment.

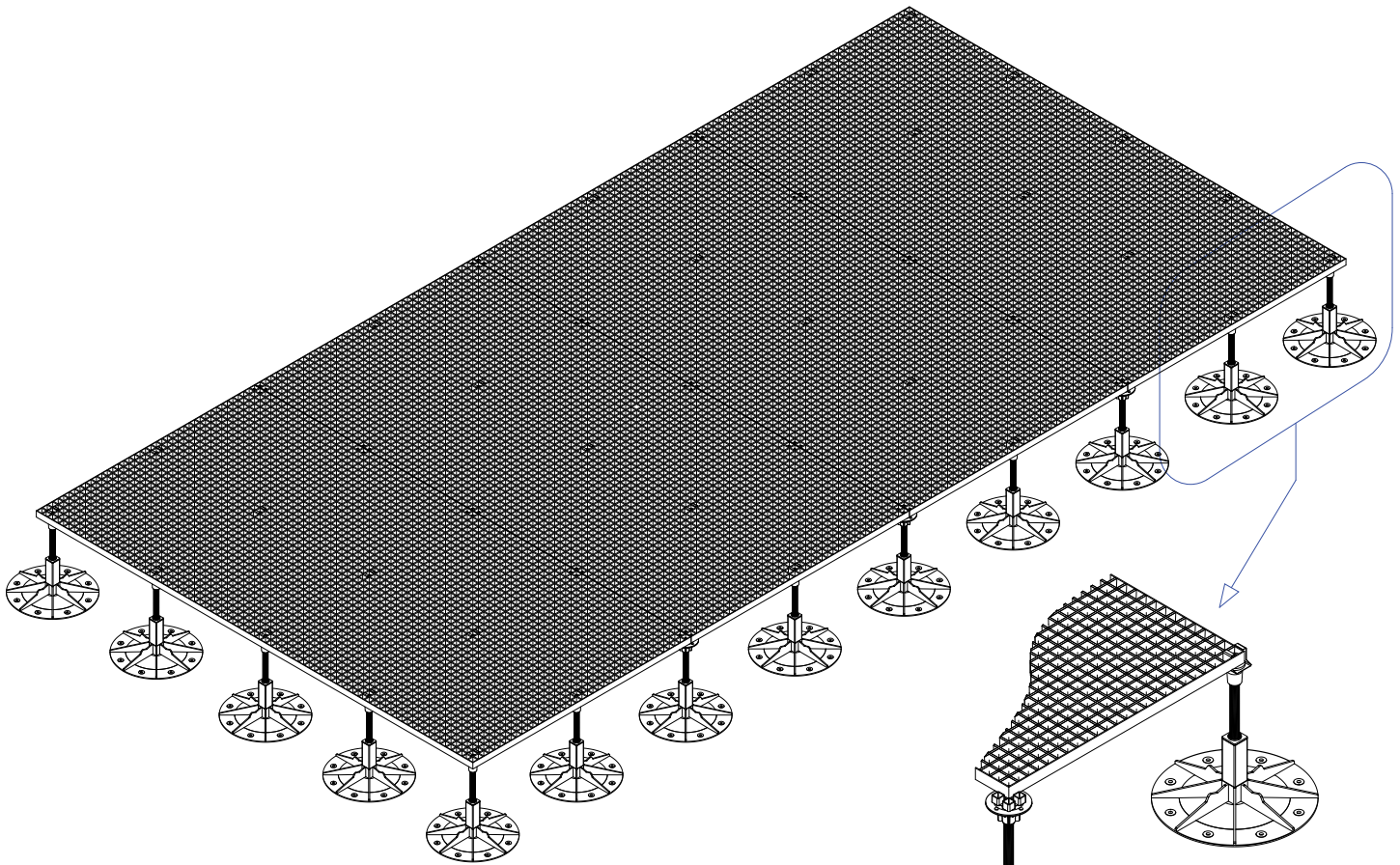
RapiDeck Support System

Fibergrate's lightweight, high-capacity support legs with cross bracing will ensure a "rock steady" platform. Most systems are easily assembled by two workers in an hour or less! Support features and benefits include:

- Fully adjustable legs, giving a platform height of 14-1/2" to 19-1/2" to accommodate sloping roofs and uneven gravel bed foundations
- Large 18" diameter bases which ensure excellent load distribution and platform stability
- Corrosion-resistant materials (composites and stainless steel) used throughout
- Fully fabricated legs for rapid installation
- Should your platform require taller legs or seismic bracing, please contact your Fibergrate Representative so a custom RapiDeck® platform can be engineered to meet your needs.



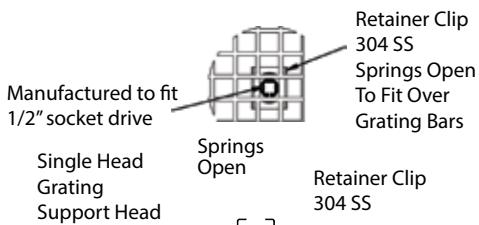
RapiDeck® Details



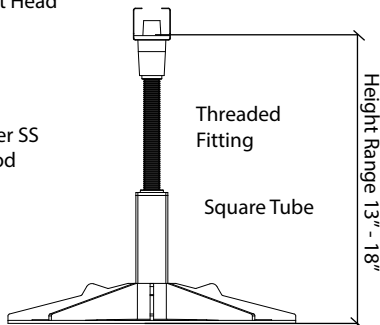
Isometric View

Single Head

Quad Head



5/8" Diameter SS
Threaded Rod

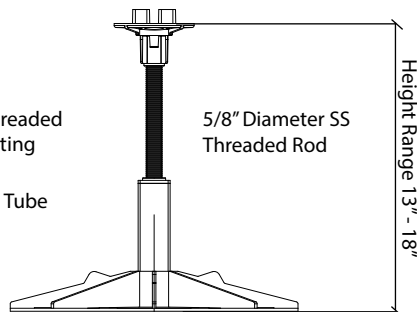


Single Head (SH)
Support Leg

Quad Head
Grating
Support Head

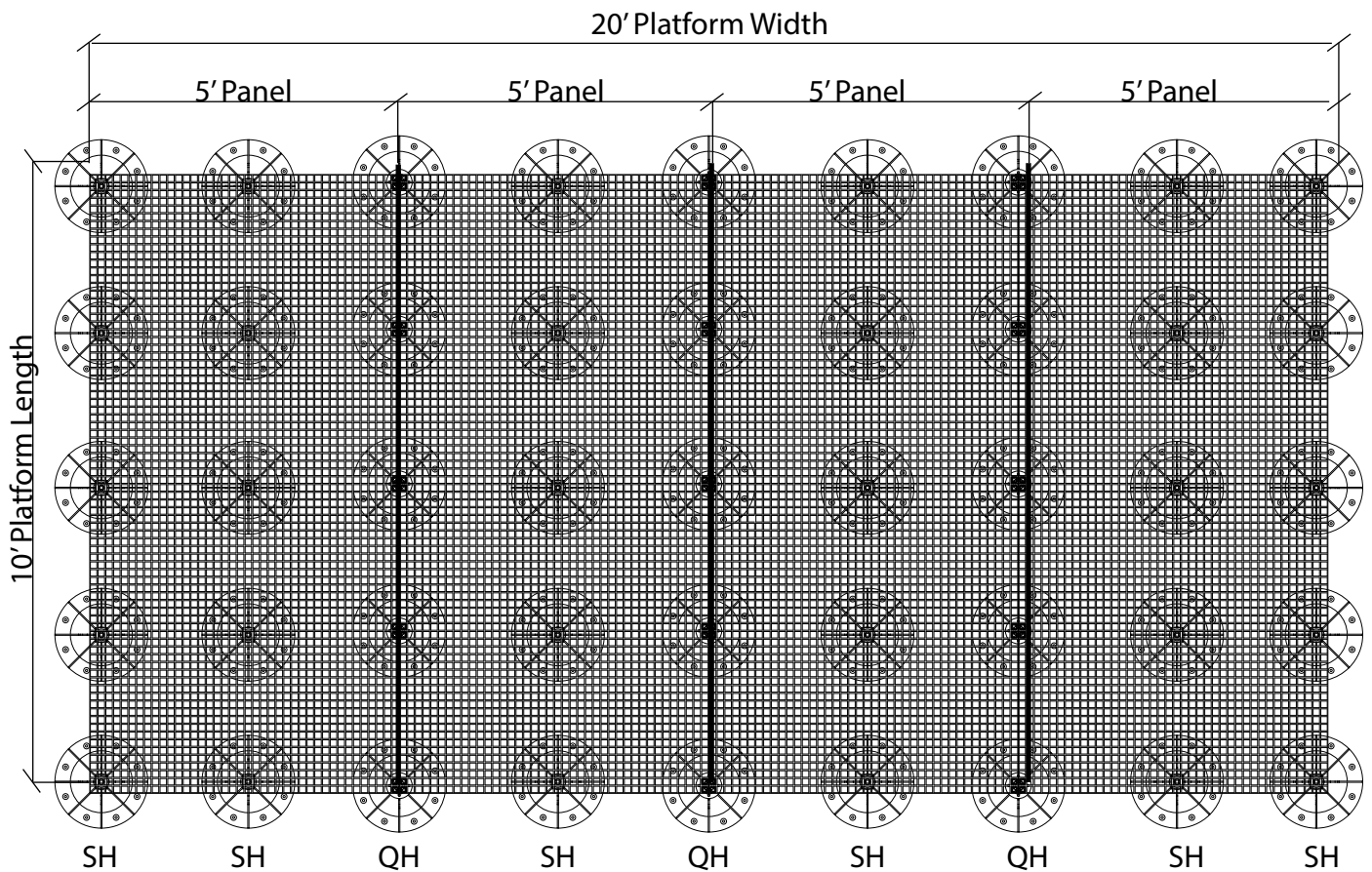
Threaded Fitting

Square Tube

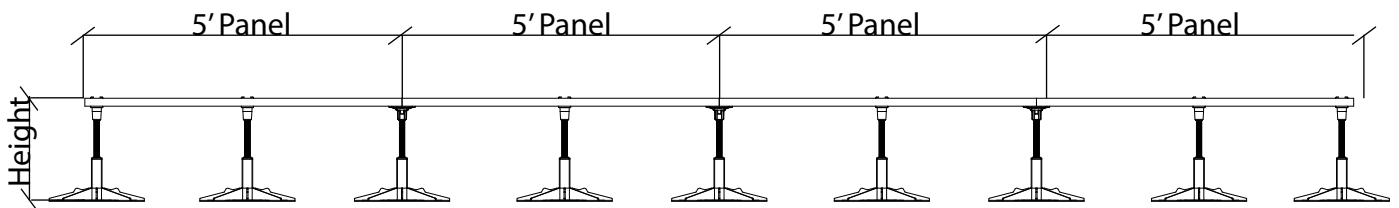


Quad Head (QH)
Support Leg

RapiDeck® Details



Plan View



Range 14-1/2" - 19-1/2"

Elevation

RapiDeck Means Rapid Installation

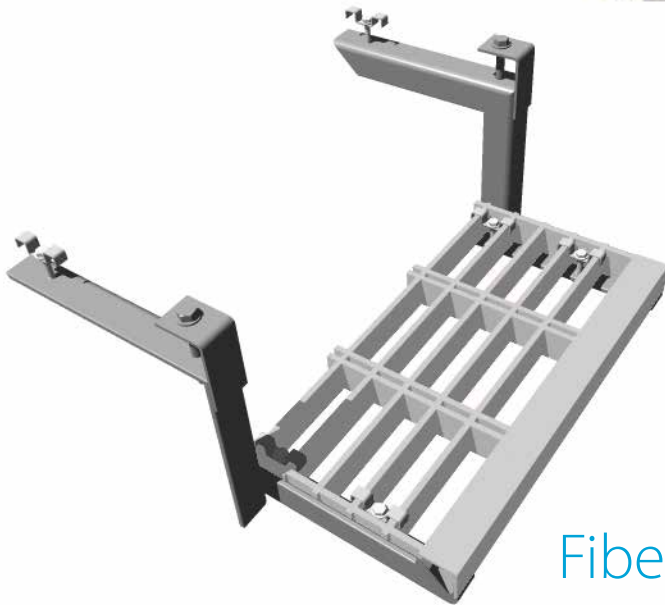
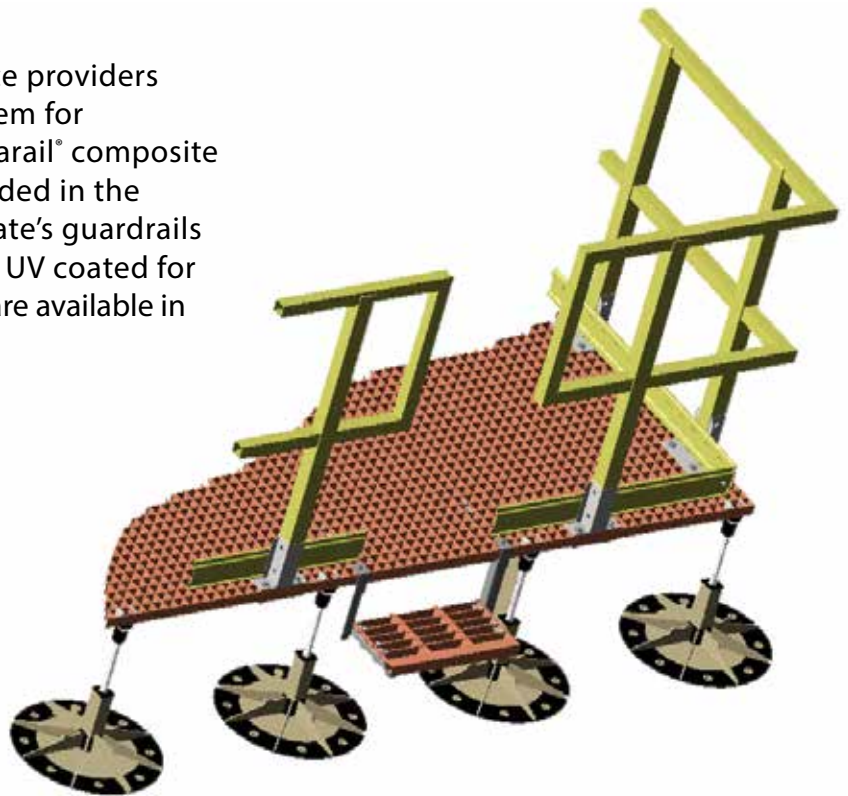
- Set panel on dunnage with concave surface face down
- Invert single head (SH) legs and insert into decking panels as shown on plans - snap retainer clips in place
- Turn panel with legs over - place on quad head (QH) legs as shown on plans
- Level platform - continue with each panel until complete

LESS THAN ONE HOUR TO COMPLETE - THAT IS RAPID!

RapiDeck® Accessories

Dynarail® Railings

Although not required by OSHA, service providers often request a handrail/guardrail system for equipment platforms. Fibergrate's Dynarail® composite two-rail railing system can be easily added in the field to any *RapiDeck* platform. Fibergrate's guardrails and handrails are OSHA compliant and UV coated for superior outdoor weathering. Railings are available in safety yellow or light gray.



Fibertred® Step

An 18" or 24" wide step can be easily attached to any side of the *RapiDeck* platform. Fibergrate's Fibertred® composite stair tread provides sure footing in all weather conditions and is supported by galvanized steel supports. The step is 9" below the surface of the platform.

Fibergrate® Telecom Solutions

Alternative Telecommunications Solutions

Fibergrate Composite Structures Inc. has nearly 50 years of experience in engineering, design, manufacturing and fabrication of structural composites. This wealth of experience enables Fibergrate to provide telecommunications customers with the most cost-effective composite solutions for their projects.

The RF transparent and lightweight features of Fibergrate's products make them ideal for virtually all telecommunications projects at prices comparable to galvanized steel or aluminum. Some of the areas for which Fibergrate has provided custom telecommunications solutions include:

Antenna Concealment

- Penthouses
- Parapets
- Architectural features and finishes
- Clock towers/tower extensions
- Bell towers
- Steeples
- Silos
- Chimneys
- Stacks



Antenna Support Structures

- 1 - 4 Sector framing
- Ballasted skirts or hard-mounted framework



Faux Rooftop Stacks

- Complete with skid and antenna mounting post
- 1 - 3 Sector designs
- 18" to 36" diameter
- Cone or plain top



Ice Shields

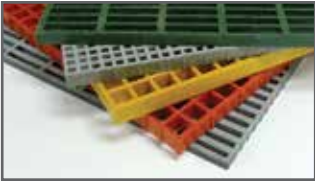
- Protects tower mounted telecom, broadcast and microwave antennae from falling ice
- High impact resistance



Equipment Platforms

- Fibergrate can design and fabricate custom FRP equipment and access platforms for even the most difficult applications

Fibergrate Products & Services



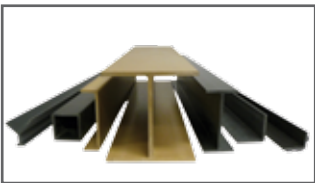
Fibergrate® Molded Grating

Fibergrate® molded gratings are designed to provide the ultimate in reliable performance, even in the most demanding conditions. Fibergrate offers the widest selection in the market with multiple resins and more than twenty grating configurations available in many panel sizes and surfaces.



Safe-T-Span® Pultruded Industrial & Pedestrian Gratings

Combining corrosion resistance, long-life and low maintenance, Safe-T-Span® provides unidirectional strength for industrial and pedestrian pultruded grating applications.



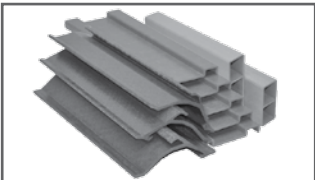
Dynaform® Structural Shapes

Fibergrate offers a wide range of standard Dynaform® pultruded structural profiles for industrial and commercial use, including I-beams, wide flange beams, round and square tubes, bars, rods, channels, leg angles and plate.



Dynarail® Guardrail, Handrail & Safety Ladder Systems

Easily assembled from durable components or engineered and prefabricated to your specifications, Dynarail® guardrail, handrail and safety ladder systems meet or exceed OSHA and strict building code requirements for safety and design.



Custom Composite Solutions

Combining Fibergrate's design, manufacturing and fabrication services allows Fibergrate to offer custom composite solutions to meet our client's specific requirements. Either through unique pultruded profiles or custom open molding, Fibergrate can help bring your vision to reality.



Design & Fabrication Services

Combining engineering expertise with an understanding of fiberglass applications, Fibergrate provides turnkey design and fabrication of fiberglass structures, including platforms, catwalks, stairways, railings and equipment support structures.



Worldwide Sales & Distribution Network

Whether a customer requires a platform in a mine in South Africa to grating on an oil rig in the North Sea, or walkways in a Wisconsin cheese plant to railings at a water treatment facility in Brazil; Fibergrate has sales and service locations throughout the world to meet the needs and exceed the expectations of any customer.

Fibergrate Composite Structures Inc. believes the information contained here to be true and accurate. Fibergrate makes no warranty, expressed or implied, based on this literature and assumes no responsibility for the consequential or incidental damages in the use of these products and systems described, including any warranty of merchantability or fitness. Information contained here can be for evaluation only. The marks and trade names appearing herein, whether registered or unregistered, are the property of Fibergrate Composite Structures Inc.

©Fibergrate Inc. 2015 Part No. 885116-05/15.PDF
Printed in the USA

