

# Multigrid® Molded Grating



## Overview

Multigrid is a 1/2" deep multi-purpose, lightweight grating that can be used for a wide range of applications including machinery guards; fencing; dividers in factories; warehouses; and cages for tools, equipment and animals. Multigrid must be fully supported and can also be used slip-resistant flooring where wet or slippery conditions exist. Multigrid is a cost-effective protective walkway for trickling filter media or rooftops, preventing damage to the surface when personnel inspect and service equipment.

## Benefits



**Low Install Cost:** Due to ease of fabrication and light weight, FRP molded grating eliminates the need for heavy lifting equipment.



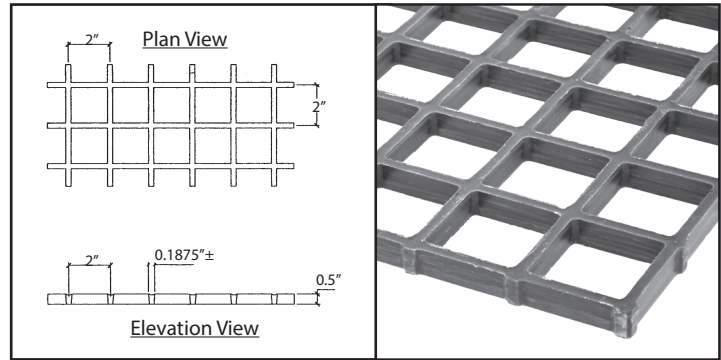
**Corrosion Resistant:** Fibergate® molded fiberglass products are known for their ability to provide corrosion resistance in the harshest environments and chemical exposures.



**Low Maintenance:** The corrosion resistant properties of FRP grating reduce or eliminate the need for sandblasting, scraping and painting. Products are also easily cleaned with a high pressure washer.

## Multigrid® 1/2" Deep x 2" Square Mesh

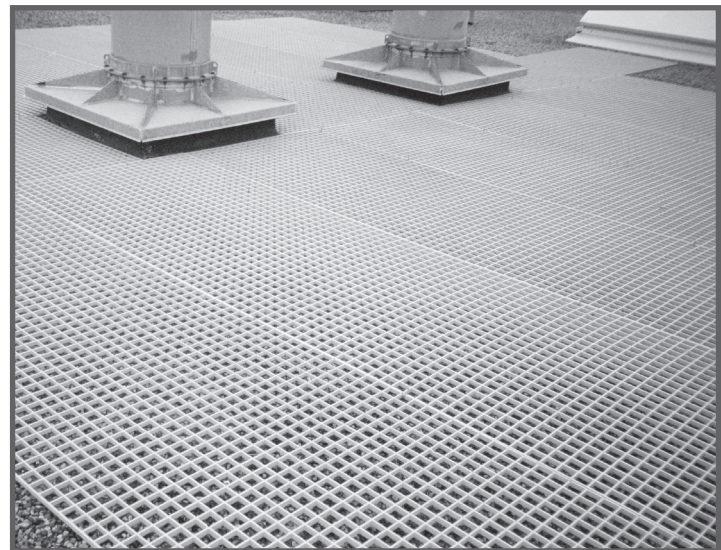
# of Bars/ Ft of Width	Load Bar Width	Open Area	Load Bar Centers	Approximate Weight
6	3/16"	82%	2"	0.96 psf



\*Must be fully supported in walking surface applications

## Multigrid Applications

- Machinery Guards
- Safety Barriers/Fencing
- Space Dividers
- Equipment Cages
- Filter Media Maintenance Walkways
- Slip-Resistant Floor Covering in Wash Down Areas
- Rooftop Walkways



Phone: 972-250-1633  
Fax: 972-250-1530



[www.fibergate.com](http://www.fibergate.com)



[info@fibergate.com](mailto:info@fibergate.com)



Fibergate Composite Structures Inc. believes the information contained here to be true and accurate. Fibergate makes no warranty, expressed or implied based on this literature and assumes no responsibility for consequential or incidental damages in the use of these products and systems described, including any warranty of merchantability or fitness. Information contained here is for evaluation only.

©Fibergate Inc. 2015-05/15-Multigrid.pdf