

Fibergrate® Molded Grating with 62% Open Surface Area

Are you looking for a grating solution for docks, floats, piers, gangways or other decking that meets ADA guidelines and meets with ACOE requirements for an open area allowing proper light transmittance below the dock surface?

Fibergrate has multiple grating options to consider when building a dock, float, pier or gangway. Fibergrate's newest offering has been designed specifically for docks and marinas to address these guidelines and requirements.

Fibergrate® molded 1" deep grating with a 3/4" x 4" rectangular mesh surface provides a 62% open area. This exceeds the 60% minimum open area requirement set forth by the National Marine Fisheries Service and the U.S. Army Corps of Engineers for the Pacific Northwest for marine decking material light transmittance. The open area is an important factor in protecting seagrass and other shallow marine habitats beneath docks.

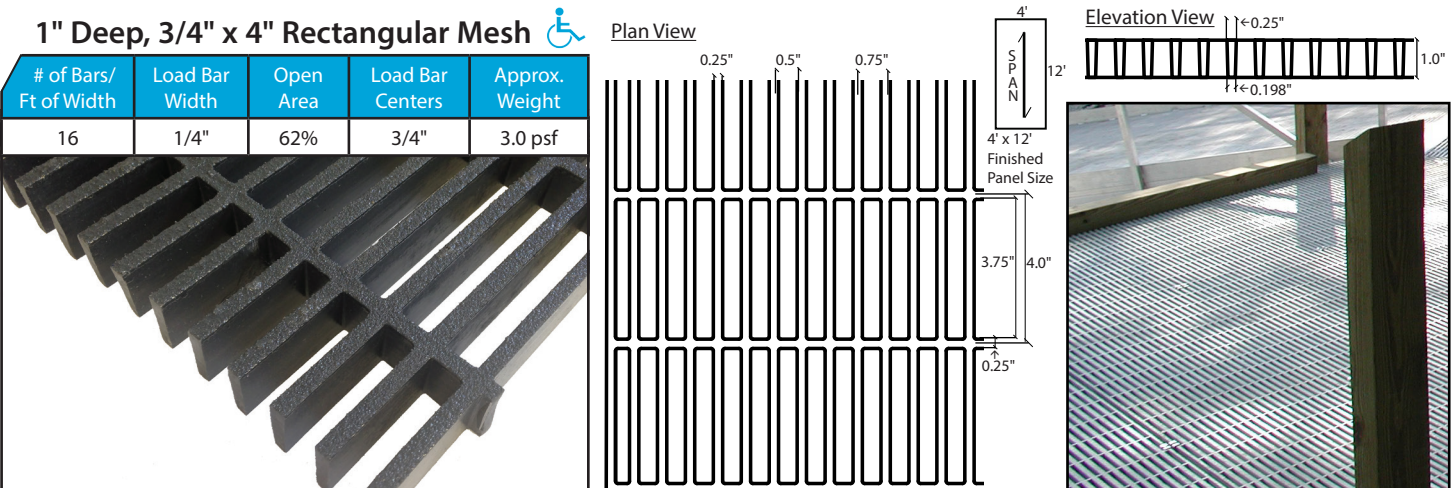
This product is available with different surface options for maximum slip resistance. Fibergrate not only offers an integrally applied quartz grit surface for the grating, but also an aqua grit (sugar-grit) surface that provides maximum comfort for bare feet. Fiberglass products are thermally non-conductive which also provides a comfortable walking surface unaffected by solar heat. The light weight and high strength of Fibergrate's FRP grating requires fewer supports and provides an overall lighter dock. This is an important consideration for floating docks as well as shipping and installation savings.

Fibergrate Composite Structures, the originator of molded fiberglass reinforced plastic (FRP) grating, has nearly five decades of experience manufacturing grating and other composite products. With in-house design, engineering and fabrication services, Fibergrate leads the industry in innovative solutions for numerous applications and industries. In our nearly 50 year history, Fibergrate has provided many products to marine, recreational and commercial customers. As our nation increasingly becomes more knowledgeable about our coastal and marine environments, Fibergrate has committed to producing products that will provide the best solution for both our customers and environment.

- ADA Compliant
- 62% Open Area
- Comfortable for Bare Feet
- Maximum UV Resistance
- Residential & Commercial Use

- Slip Resistant
- Corrosion Resistant
- Light Weight
- Low Maintenance
- Non-Conductive
- Storm Surge Friendly

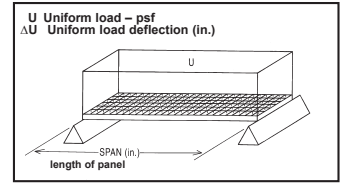
Details



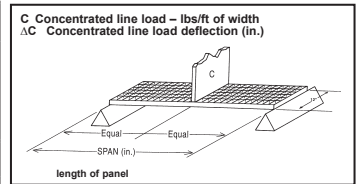
FRP Dock Grating

Load Tables - 62% Open Area Molded Grating

1" x 3/4" x 4" Load Span Table - Uniform Loads										MAX RECOM. LOAD (psf)	ULTIMATE LOAD (psf)
CLEAR SPAN	UNIFORM LOAD (psf)										
(in)	50	65	100	150	200	300	500	1000	2000		
12	<0.01	<0.01	<0.01	<0.01	<0.01	0.01	0.02	0.04	0.08	2800	14040
18	0.01	0.01	0.02	0.03	0.04	0.06	0.10	0.20	0.40	1240	6200
24	0.03	0.04	0.06	0.09	0.12	0.18	0.30	--	--	700	3500
30	0.07	0.10	0.15	0.22	0.30	0.44	--	--	--	440	2200
36	0.15	0.20	0.31	0.46	--	--	--	--	--	310	1500
42	0.28	0.37	--	--	--	--	--	--	--	220	1100
48	0.48	--	--	--	--	--	--	--	--	170	800



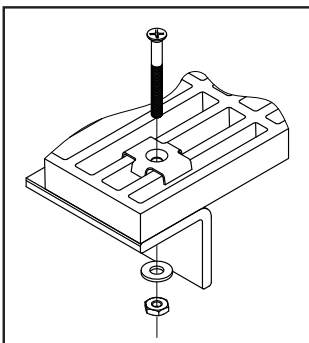
1" x 3/4" x 4" Load Span Table - Line Loads								MAX RECOM. LOAD (lb/ft)	ULTIMATE LOAD (lb/ft)
CLEAR SPAN	LINE LOAD (lb/ft of width)								
(in)	50	100	200	300	500	1000	2000		
12	<0.01	<0.01	0.01	0.02	0.03	0.07	0.13	1400	7020
18	0.01	0.02	0.04	0.06	0.11	0.21	0.43	930	4680
24	0.02	0.05	0.10	0.15	0.24	0.48	--	700	3510
30	0.05	0.09	0.19	0.28	0.47	--	--	560	2800
36	0.08	0.16	0.33	0.49	--	--	--	460	2340
42	0.13	0.26	--	--	--	--	--	400	2000
48	0.19	0.39	--	--	--	--	--	350	1750



NOTES:

- All gratings were tested in accordance with the ANSI Standard: FRP Composites Grating Manual for Pultruded and Molded Grating and Stair Treads.
- Maximum Recommended Load represents a 5:1 factor of safety on Ultimate Capacity.

Clip Assembly



This 62% open area molded grating does require an E-1 Clip Assembly (shown above) to secure the grating to a structure. The WLP Clip Assembly will also work.

Additional Products

When commercial loading is required or clear spans are greater than available with Fibergate® molded products, certain pultruded grating products are a great alternative. These products are also manufactured to meet with ACOE open area requirements for light transmittance. Fibergate's SI60 pultruded grating offers a 60% open area. This product is available with a slip resistant grit top surface or a barefoot friendly (aqua grit) surface. SI60 pultruded grating is available in depths of 1" and 1-1/2" and comes in various standard panel sizes. SI60 also meets ADA guidelines, making it an excellent choice for public area applications. Additionally, Safe-T-Span® I6010 and I6015 pultruded grating provides high unidirectional strength and stiffness. Safe-T-Span I6010 and I6015 is also available in 1" and 1-1/2" depths with a 60% open area. The applied grit top surface allows for maximum slip resistance in wet or oily conditions.



Phone: 972-250-1633
Fax: 972-250-1530



www.fibergate.com



info@fibergate.com

